

INTEX® OWNER'S MANUAL

POOL CANOPY

176
IO

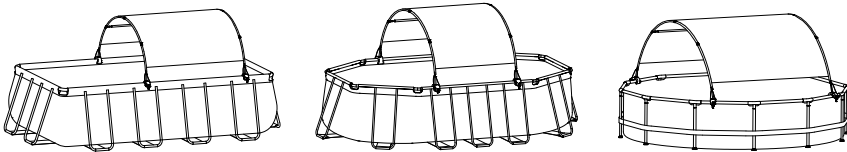
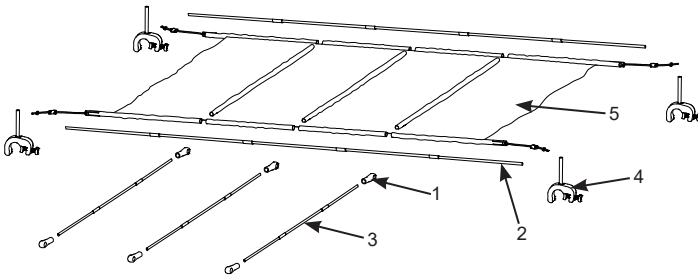
READ AND FOLLOW ALL INSTRUCTIONS BEFORE USING THIS PRODUCT

⚠ WARNING

- Assemble and disassemble by adults only from outside of the pool. Never attempt to remove the canopy while in the pool.
- Remove canopy and store properly when not in use or in the presence of strong winds, thunderstorms, heavy rain or snow.
- Never place items on top of canopy or exert excessive force onto the frame when in use.
- Always closely supervise children who are in or near the pool at all times.
- Check that all canopy connections are secure prior to entering the pool.
- This product is intended to be used only for the purposes described in the manual.

FAILURE TO FOLLOW THESE WARNINGS AND THE ASSEMBLY AND USE INSTRUCTIONS MAY RESULT IN SERIOUS INJURY, DROWNING OR PROPERTY DAMAGE.

Parts Reference



NOTE: Drawings for illustration purpose only. May not reflect actual product. Not to scale.

REF. NO.	DESCRIPTION	QTY.	SPARE PART NO.
1	Fiber glass rod joint	6	12964
2	Fiber glass rod A	2	12963A
3	Fiber glass rod B	3	12963B
4	Mounting clamp	4	12961
5	Canopy	1	12962

SAVE THESE INSTRUCTIONS

Page 1

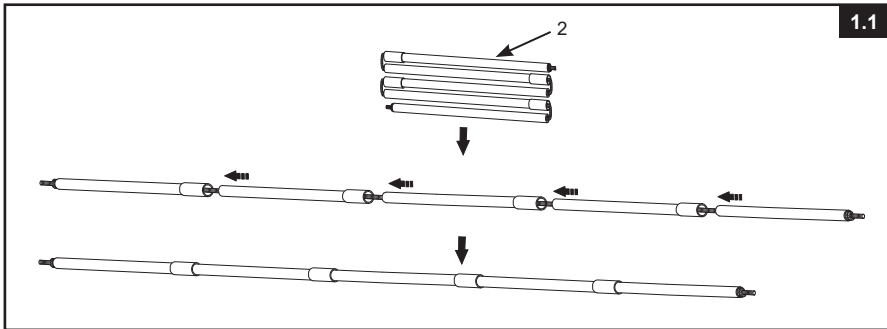
176-^{*}IO-R0-2108

General

- Choose where you want to install the canopy. It's recommended to setup the canopy on the west side of the pool in order to block more of the afternoon sun.
- No tools are required for the assembly. Two people are needed to setup this product.
- Make sure the pool is setup and filled with water first.
- Never attempt to setup this product during strong winds, thunderstorms, heavy rain or snow.

This canopy is designed and manufactured for Intex pool sizes:

POOL	POOL SIZE
METAL FRAME POOL	10'x30" (3.05m×76cm)
	12'x30" (3.66m×76cm)
	12'x33" (3.66m×84cm)
PRISM FRAME™ PREMIUM POOL	10'x30" (3.05m×76cm)
	12'x30" (3.66m×76cm)
	12'x39" (3.66m×99cm)
	12'x48" (3.66m×1.22m)
PRISM FRAME™ RECTANGULAR PREMIUM POOL	13'1½"×6'6¾"×39½" (4.00m×2.00m×1.00m)
	13'1½"×6'6¾"×48" (4.00m×2.00m×1.22m)
	16'×8'×42" (4.88m×2.44m×1.07m)
PRISM FRAME™ OVAL PREMIUM POOL	13'1½"×6'6¾"×39½" (4.00m×2.00m×1.00m)
	16.6'×9'×48" (5.03m×2.74m×1.22m)
	20'×10'×48" (6.10m×3.05m×1.22m)
ULTRA XTR™ RECTANGULAR FRAME POOL	18'×9'×52" (5.49m×2.74m×1.32m)
	24'×12'×52" (7.32m×3.66m×1.32m)

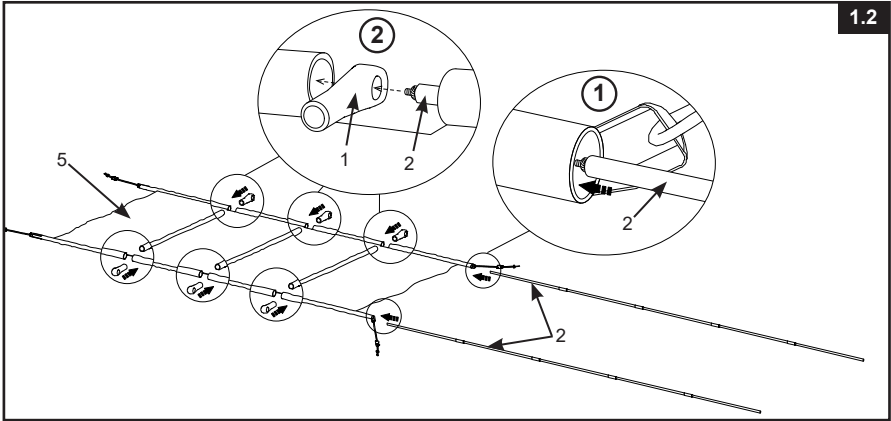
Setup instructions

SAVE THESE INSTRUCTIONS

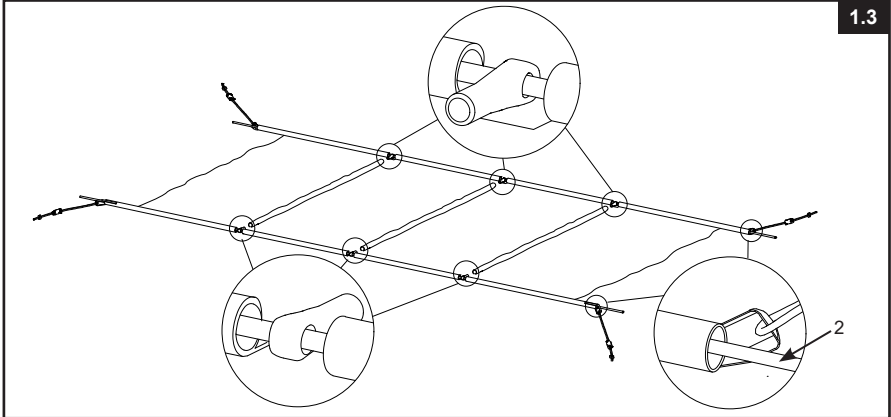
Setup instructions (continued)

176
IO

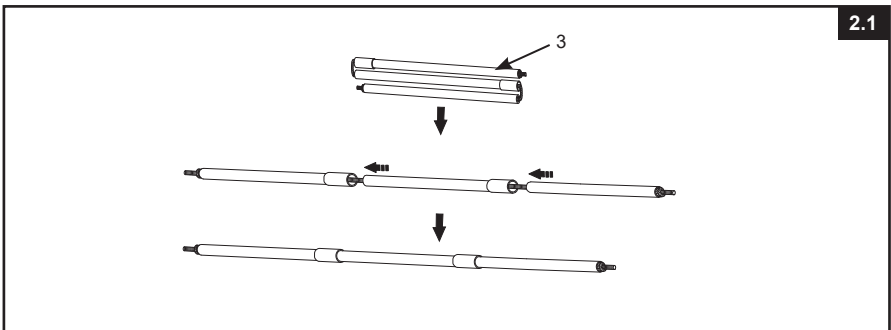
1.2



1.3



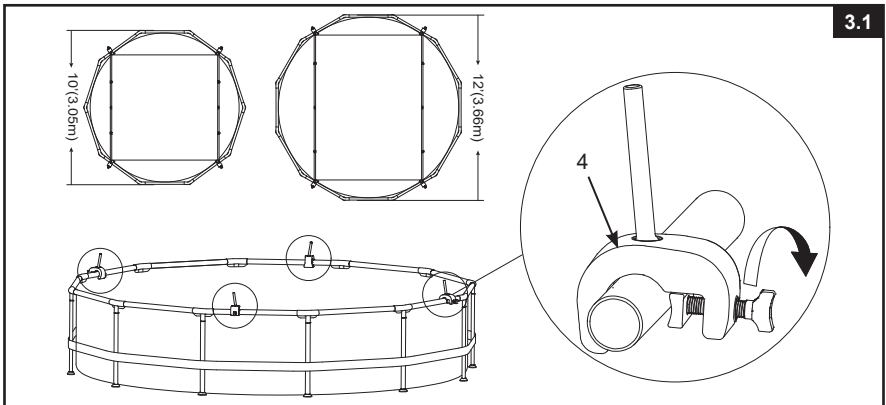
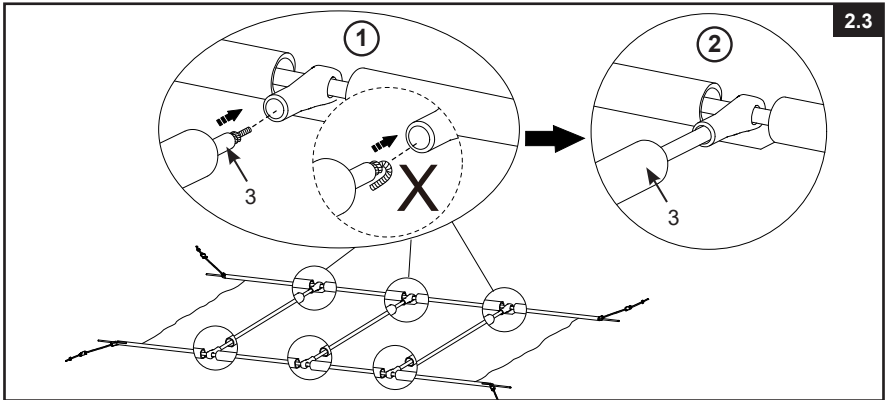
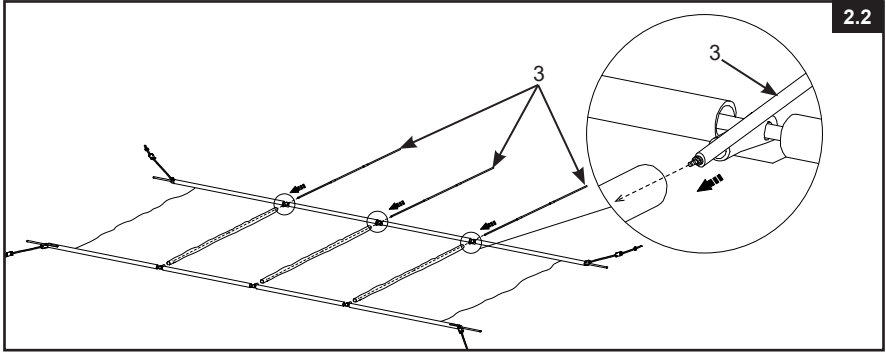
2.1



SAVE THESE INSTRUCTIONS

Setup instructions (continued)

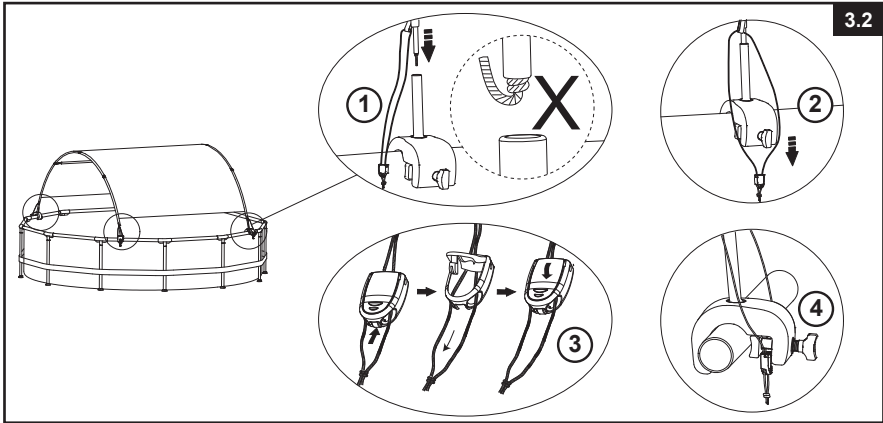
176
IO



SAVE THESE INSTRUCTIONS

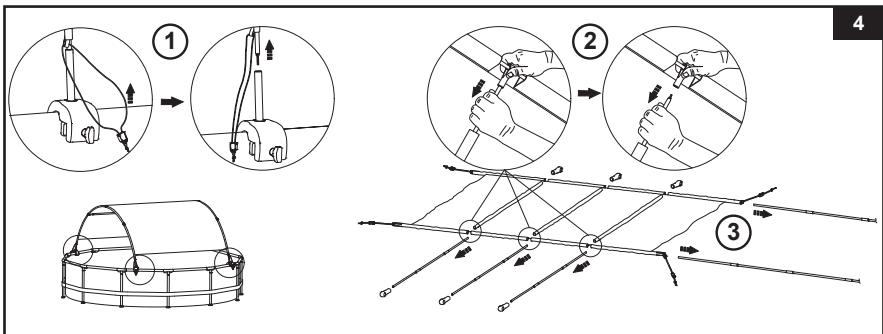
Setup instructions (continued)

176
IO



Maintenance and long term storage

1. Regularly check all components for sign of damage and straining. Replace damaged components immediately.
2. Remove the canopy assembly from the frame pool.
3. Use a sponge and clean water to wipe away any soil or stains on the canopy.
4. Reverse the above setup instructions (see Fig. 4), and make sure all components are completely dry before storage.



5. Store the canopy and accessories in a dry, temperature controlled, between 0° – 40°C (32° – 104°F), storage location.
6. The original packing can be used for storage.

©2020 Intex Marketing Ltd. - Intex Development Co. Ltd. - Intex Recreation Corp. All rights reserved/Tous droits réservés/Todos los derechos reservados/Alle Rechte vorbehalten. Printed in China/Imprimé en Chine/Impreso en China/Gedruckt in China.
 ®™ Trademarks used in some countries of the world under license from®™ Marques utilisées dans certains pays sous licence de/Marcas registradas utilizadas en algunos países del mundo bajo licencia de/Warenzeichen verwendet in einigen Ländern der Welt in Lizenz von/
 Intex Marketing Ltd. to/a/a/an Intex Development Co. Ltd., G.P.O Box 28829, Hong Kong & Intex Recreation Corp., P.O. Box 1440,
 Long Beach, CA 90801 • Distributed in the European Union by/Distribué dans l'Union Européenne par/Distribuido en la unión Europea
 por/Vertrieb in der Europäischen Union durch/Intex Trading B.V., Venneveld 9, 4705 RR Roosendaal – The Netherlands
 www.intexcorp.com

INTEX®

SAVE THESE INSTRUCTIONS